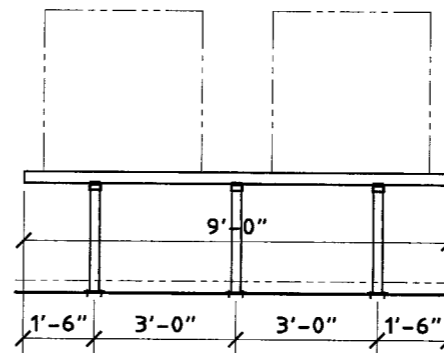
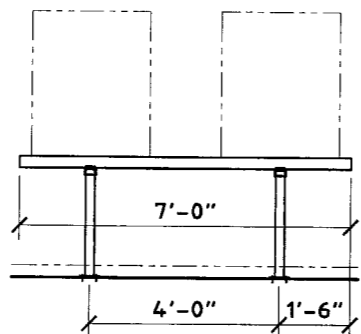
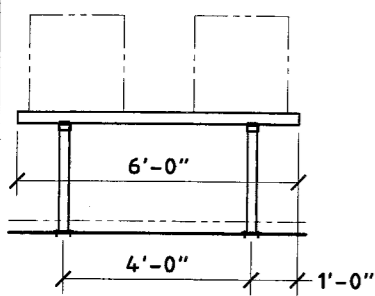
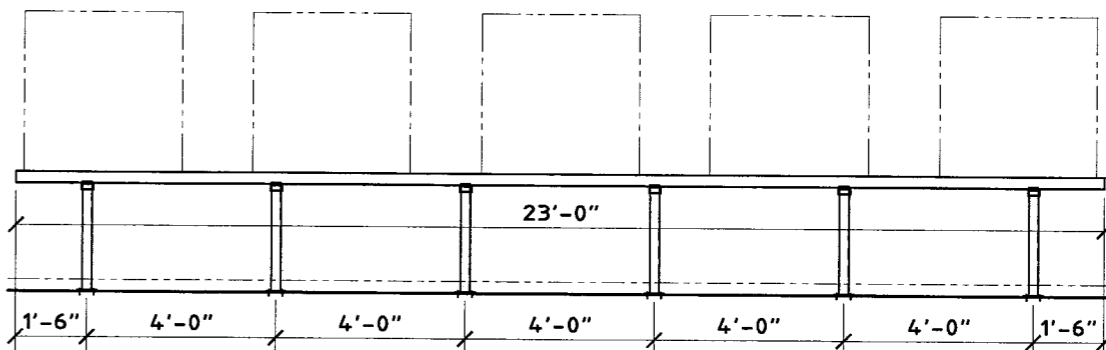
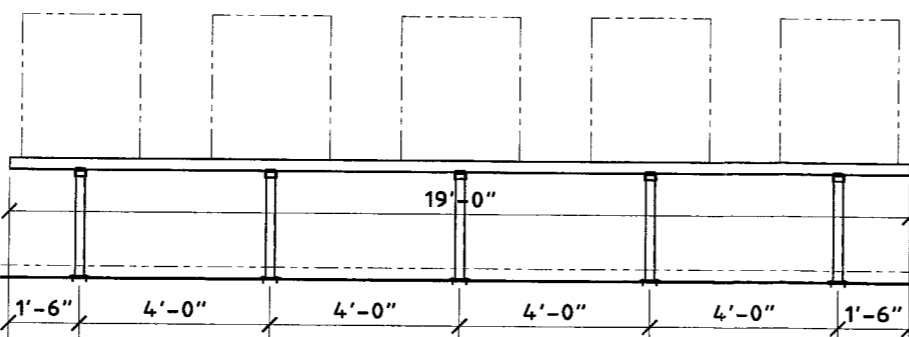
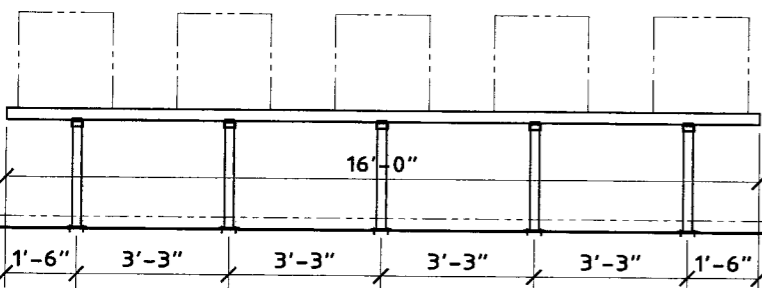
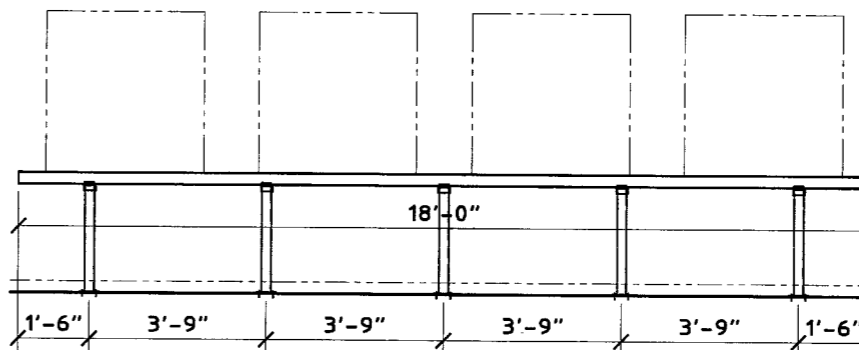
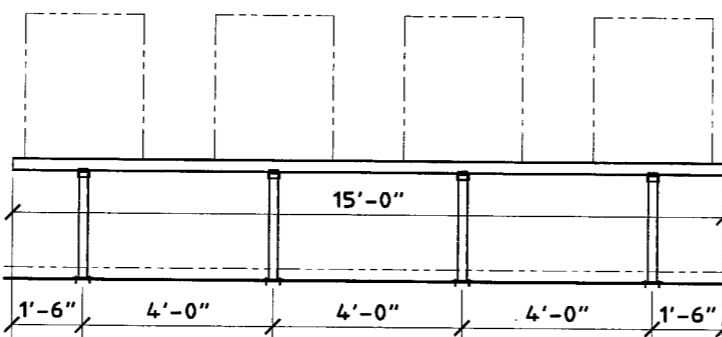
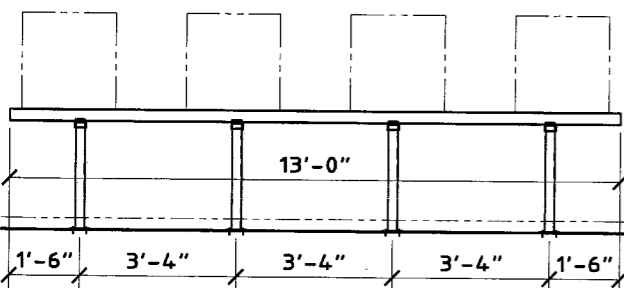
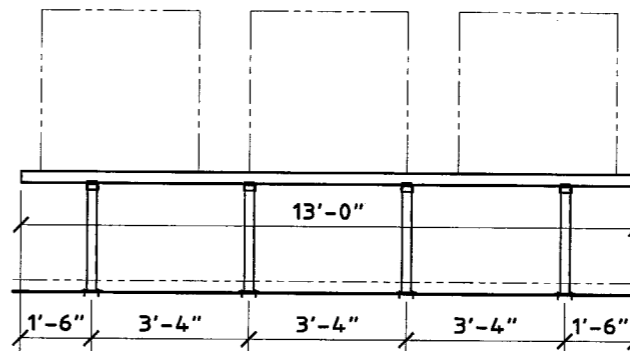
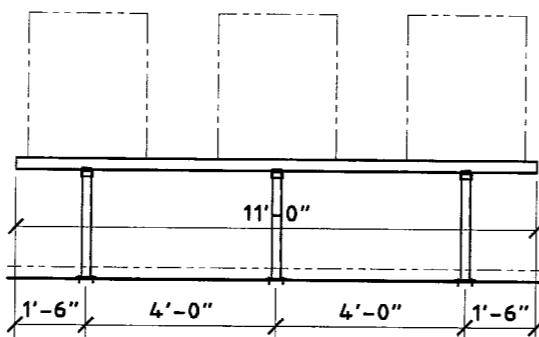
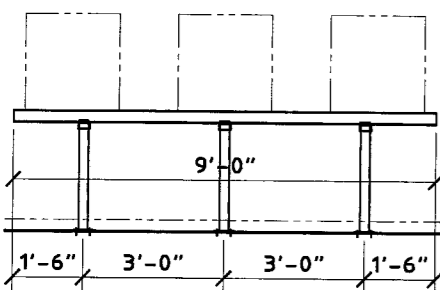


STAND ASSEMBLY NOTES:

1. FOR ASSEMBLES 1, 2 & 3, A/C UNITS SHALL BE A MAXIMUM PROJECTED AREA OF 4.0 SQUARED FEET (24"x24") EACH.
2. FOR ASSEMBLES 4, 5 & 6, A/C UNITS SHALL BE A MAXIMUM PROJECTED AREA OF 7.5 SQUARED FEET (30"x36") EACH.
3. FOR ASSEMBLY 7, A/C UNITS SHALL BE A MAXIMUM PROJECTED AREA OF 11.1 SQUARED FEET (40"x40") EACH.
4. UNITS SHALL BE EQUALLY SPACED IN THE CONFIGURATIONS SHOWN.
5. PROVIDE 3" ± 2" FROM EDGE OF STAND TO EDGE OF UNIT.



PRODUCT RENEWED
 as complying with the Florida
 Building Code
 Acceptance No. 07-0516.04
 Expiration Date 09/05/2012
 By Helmut A. Knezevich
 Miami Dept. Product Control
 Division



Thornton Tomasetti
 330 N. Andrews Ave., Suite 450 • Ft. Lauderdale, FL 33301
 T 954.522.3690 • F 954.522.3691 • COA # 7519
 Website: www.ThorntonTomasetti.com
 Copyright © 2007 Thornton Tomasetti, Inc.

AIR CONDITIONING STAND

ALUMISTAND &
 VIBRA-DAMP
 CORPORATION
 OF
 AMERICA
 3350 BURRIS ROAD
 FT. LAUDERDALE, FL 33314
 (954) 584-6001
 (800) 266-7212

J.W. Knezevich
 Professional Engineer
 FL License No.: PE 0041961

MAY 02 2007

no.	date	by	description
0	05/02/2007	TIF	PREVIOUSLY DRAWING NO. 03-378

date 05/02/2007

scale AS NOTED
 design by TLF
 drawn by MCR
 checked by VJK

drawing no. 07-369

sheet 3 of 3

(A) ASSEMBLIES 1, 2 & 3
 SCALE: 1/4" = 1'-0"

(B) ASSEMBLIES 4, 5 & 6
 SCALE: 1/4" = 1'-0"

(C) ASSEMBLY 7
 SCALE: 1/4" = 1'-0"